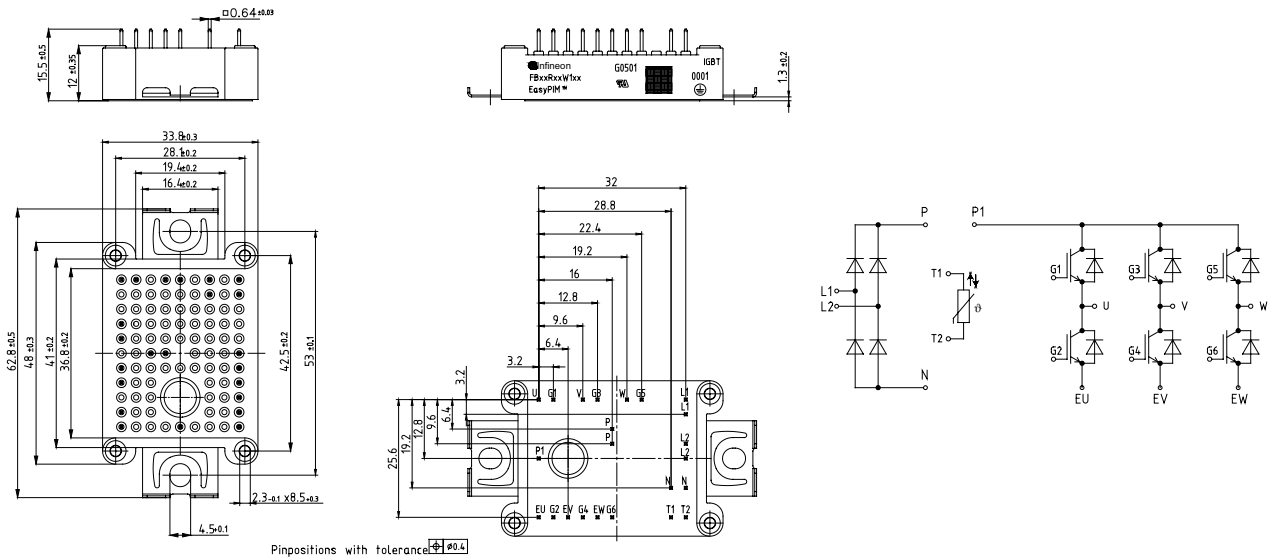


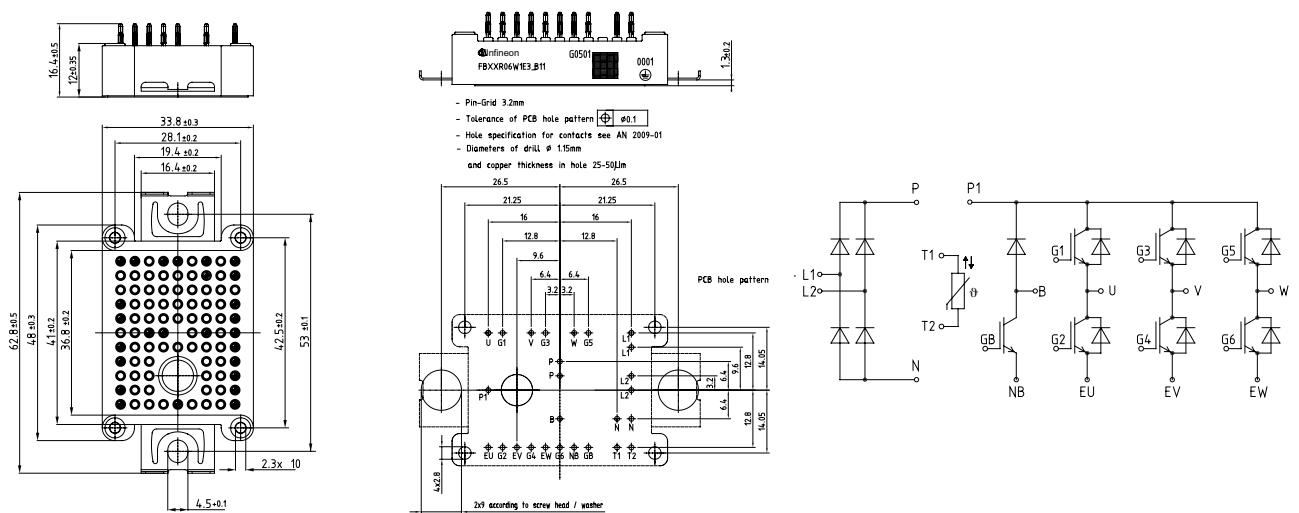
EasyPIM™ 1B

L_B1c



EasyPACK 1B

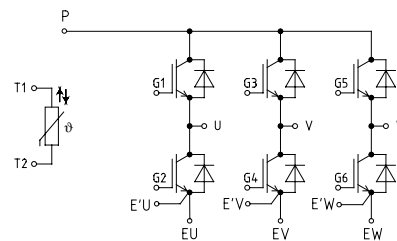
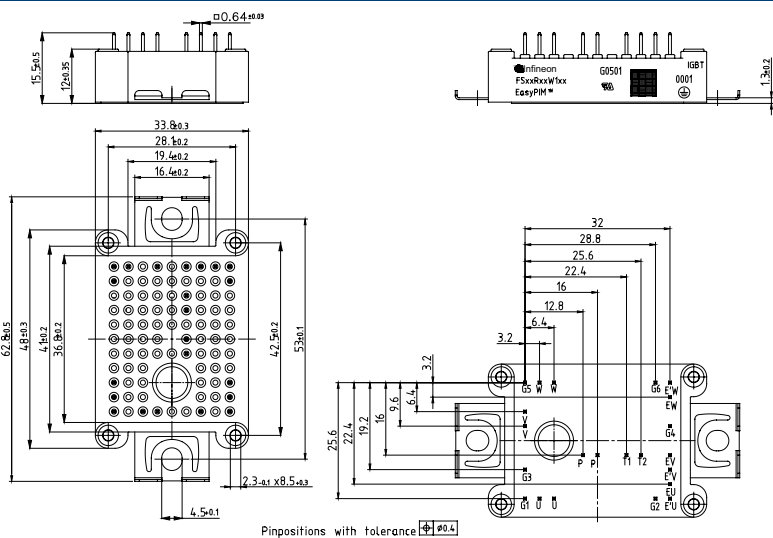
L_B1k



IGBT Low Power

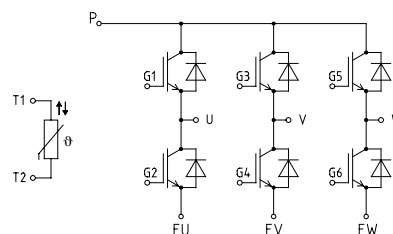
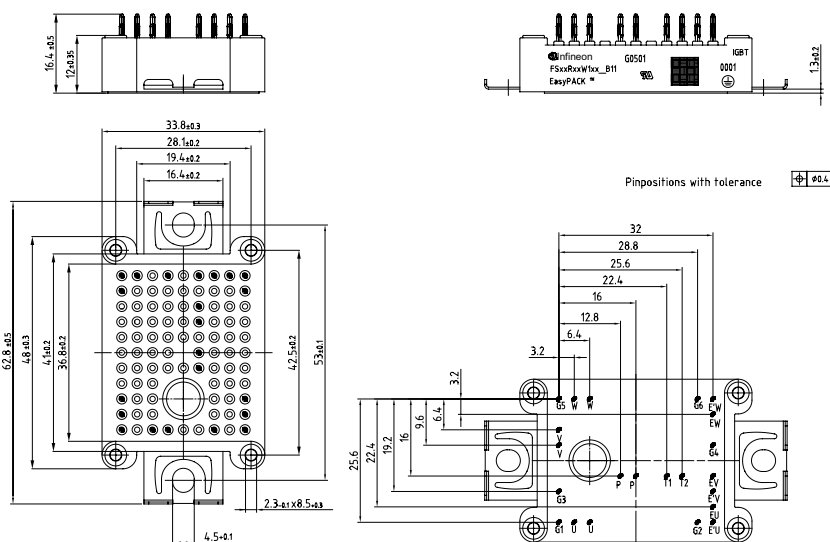
EasyPACK 1B

L_B1e



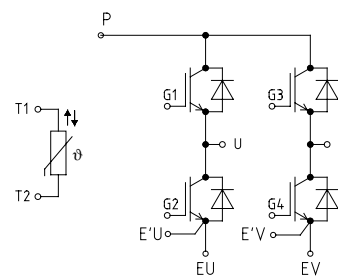
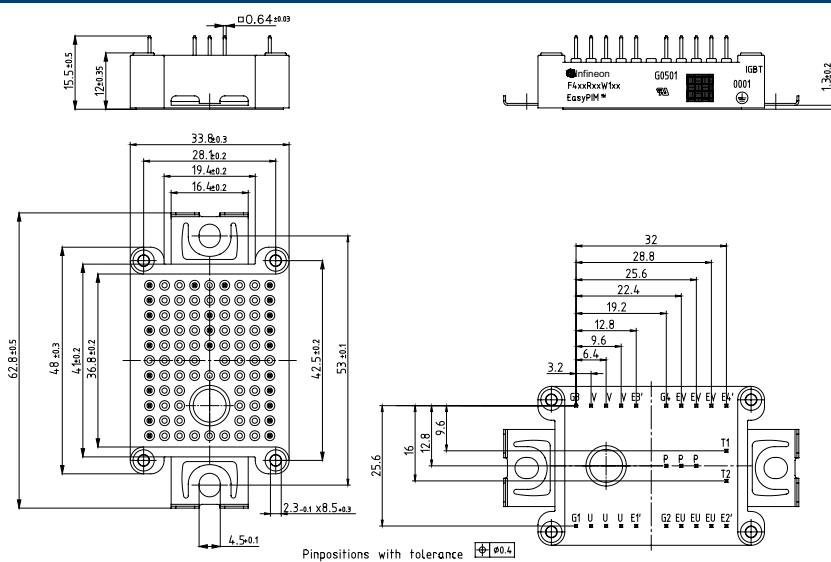
EasyPACK 1B

L_B1j



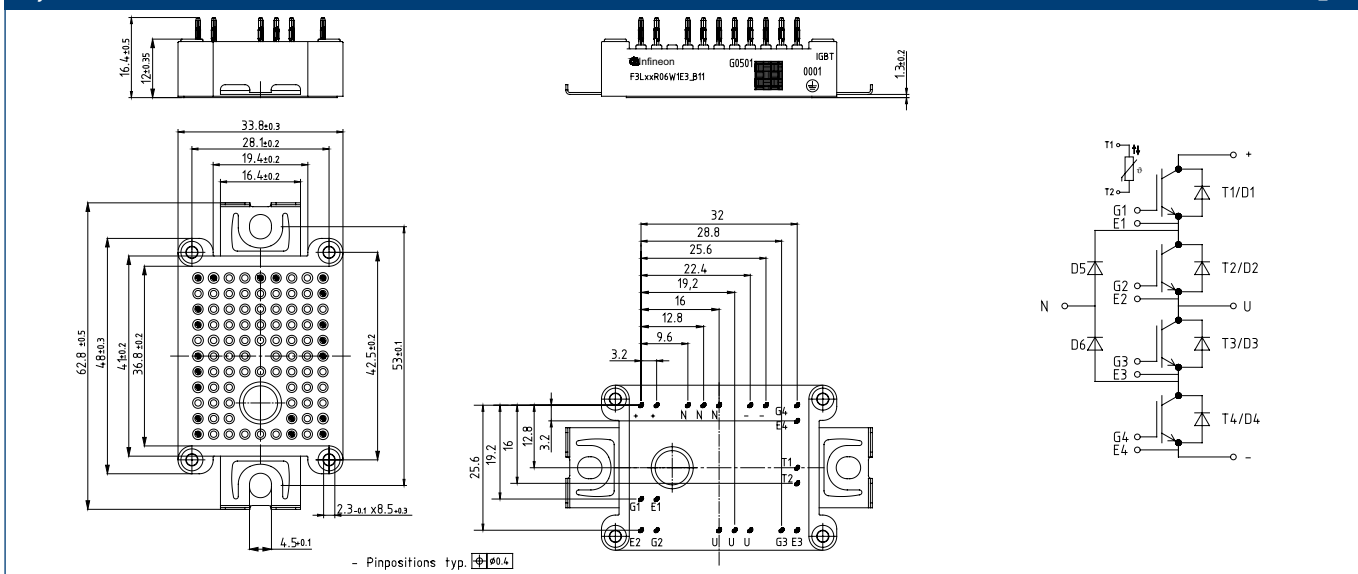
EasyPACK 1B

L_B1f



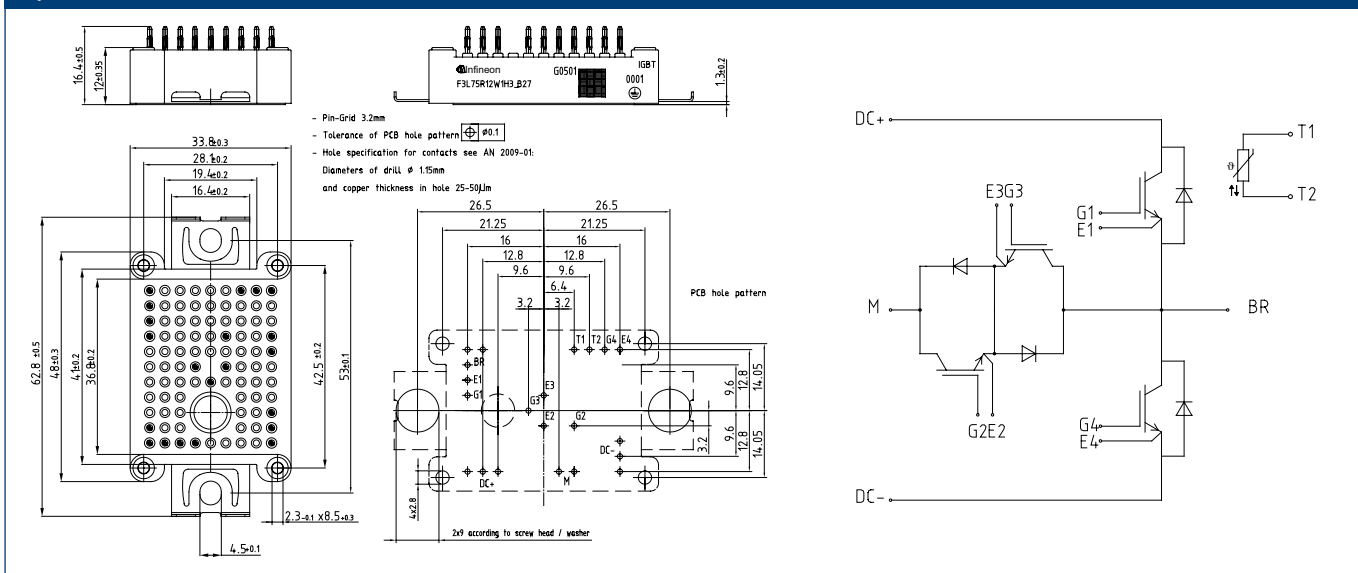
EasyPACK 1B

L_B1i



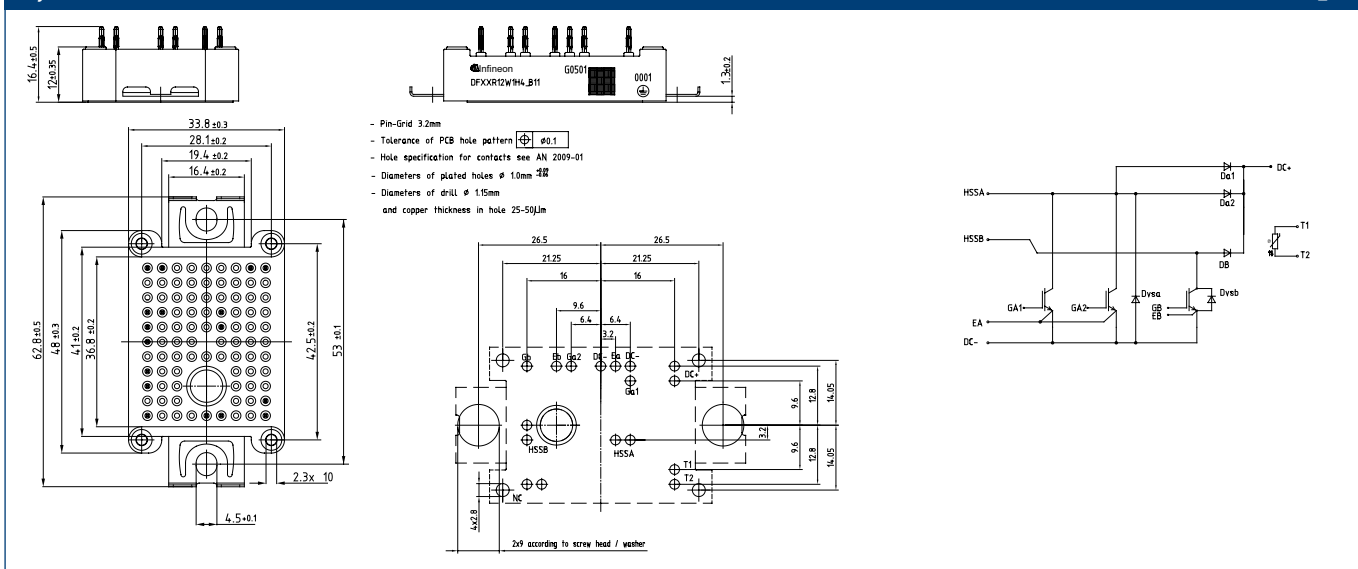
EasyPACK 1B

L_B1k



EasyPACK 1B

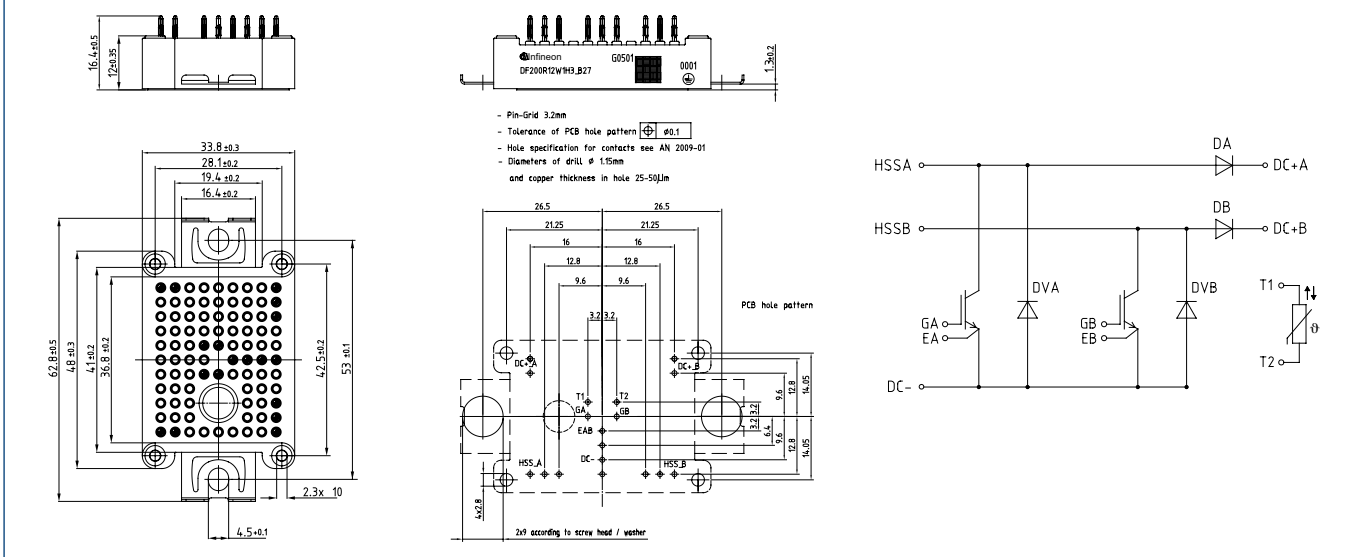
L_B1l



IGBT Low Power

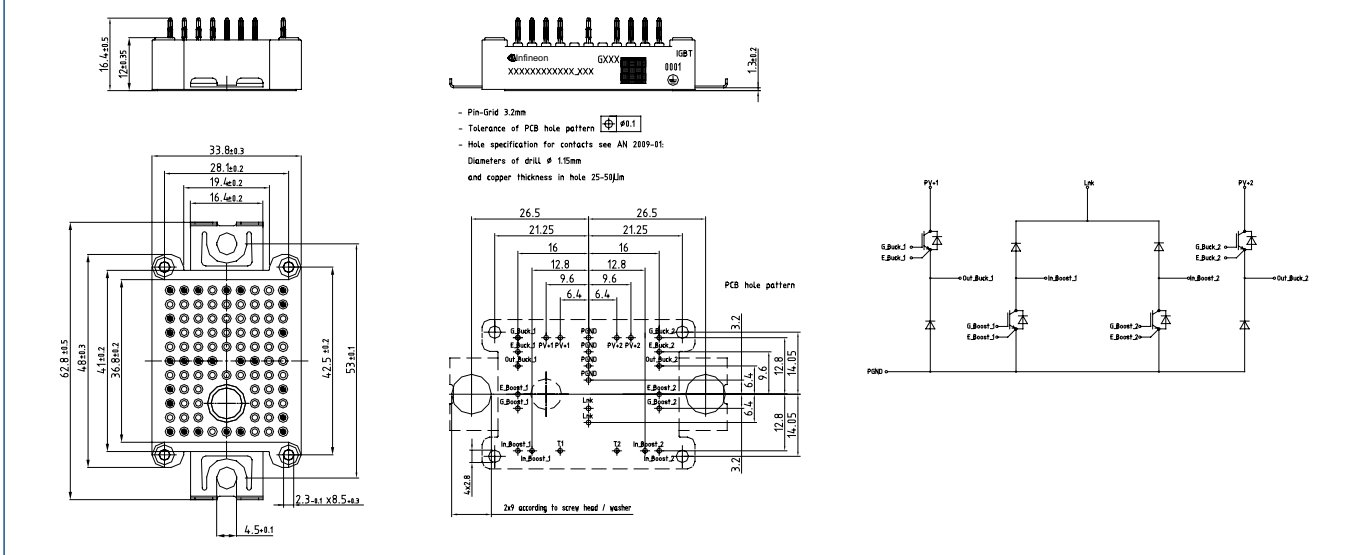
EasyPACK 1B

L_B1m



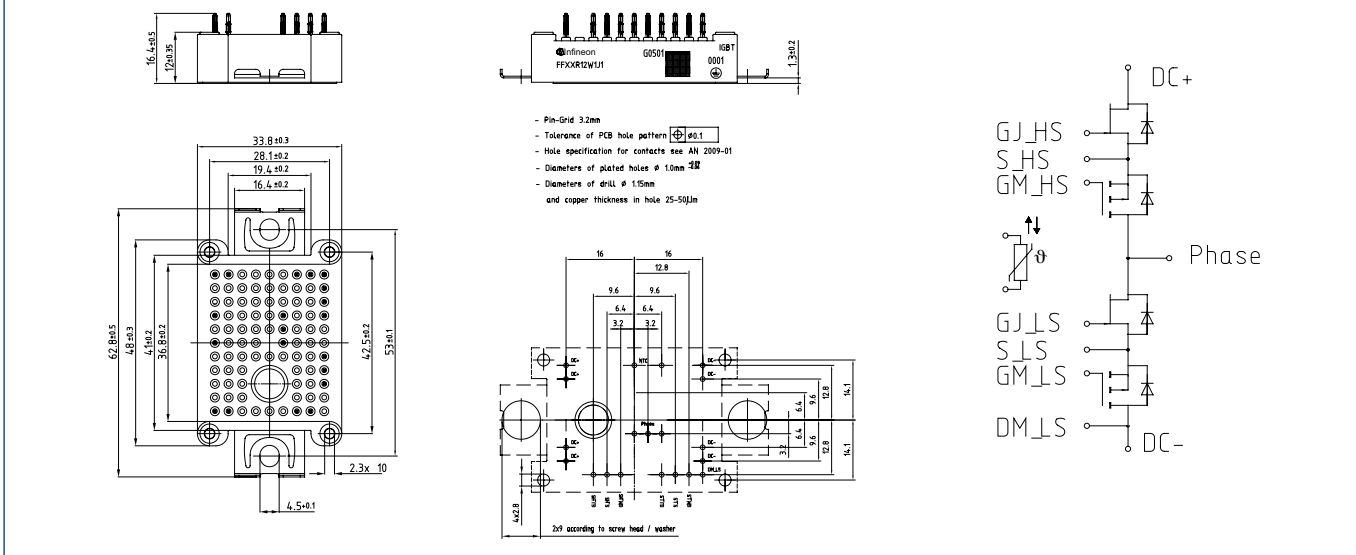
EasyPACK 1B

L_B1b

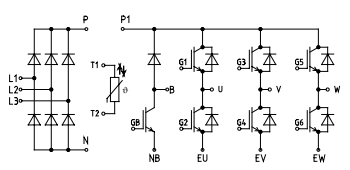
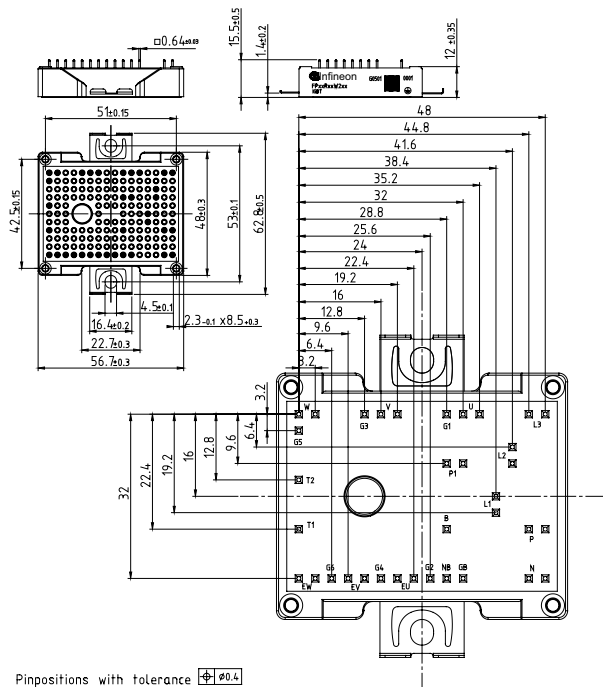


EasyPACK 1B

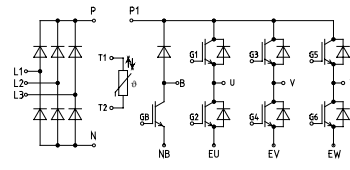
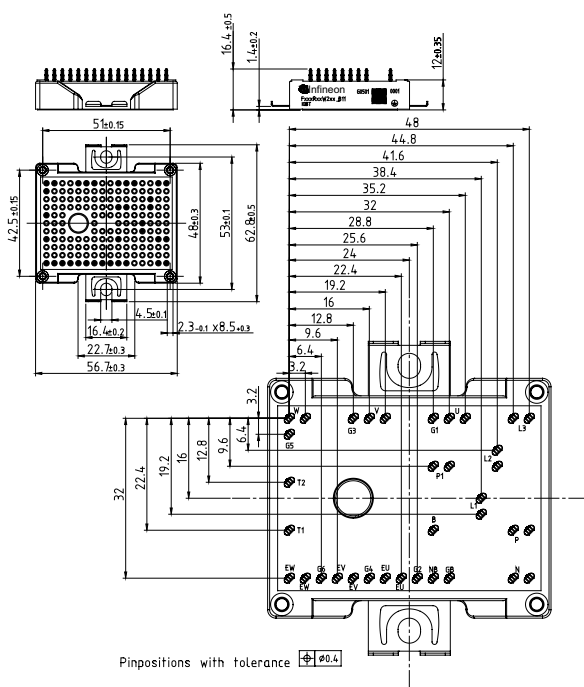
L_B1o



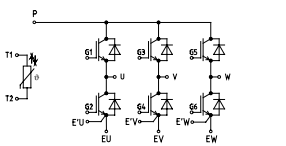
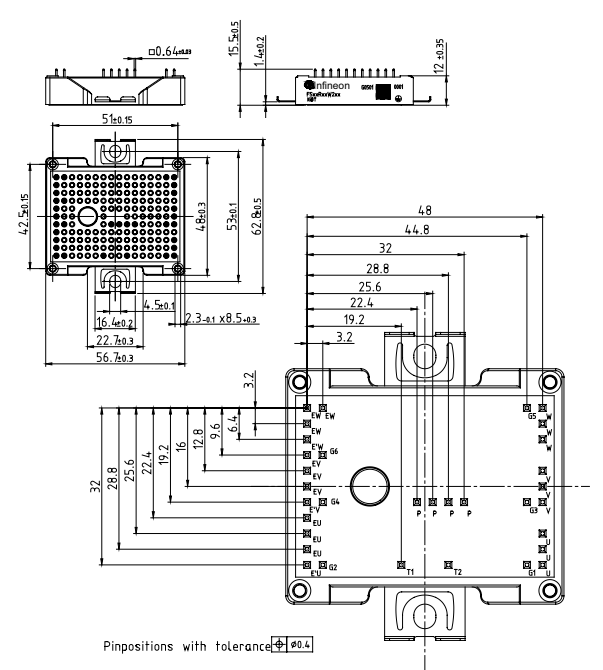
EasyPIM™ 2B L_B2a



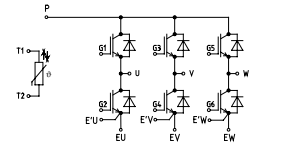
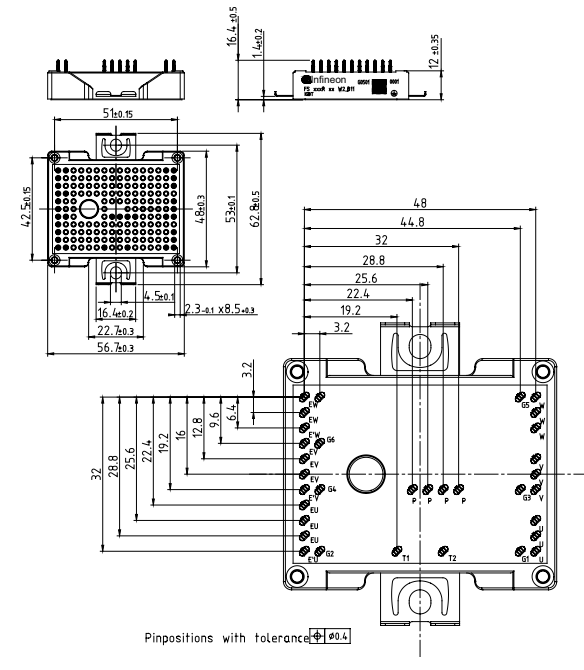
EasyPIM™ 2B L_B2b



EasyPACK 2B L_B2c

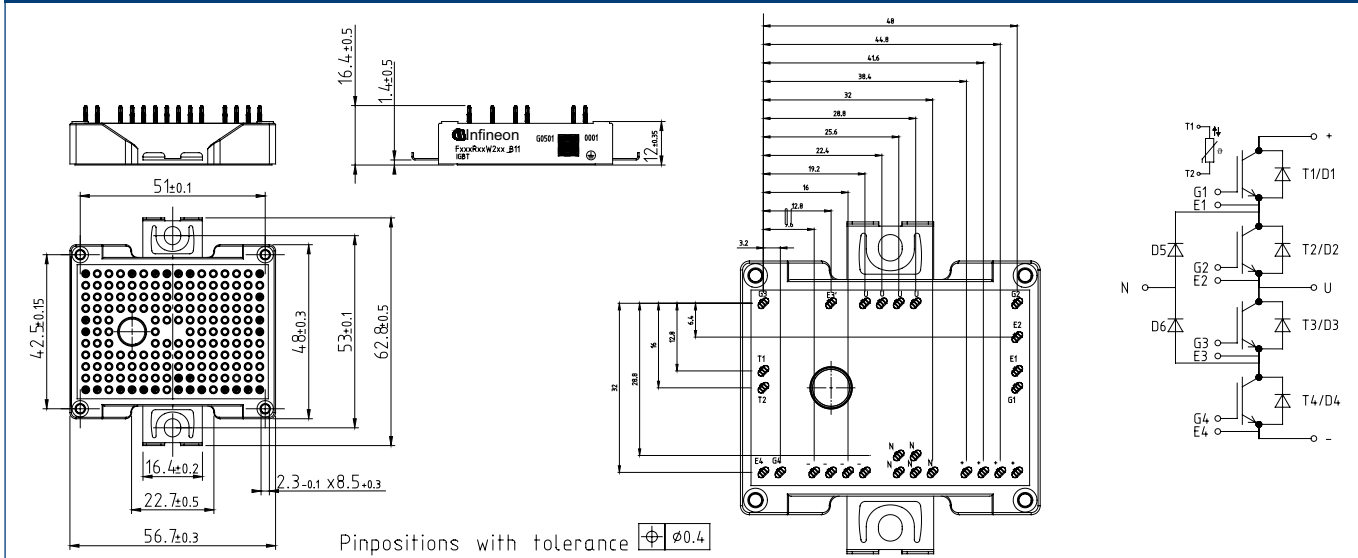


EasyPACK 2B L_B2d



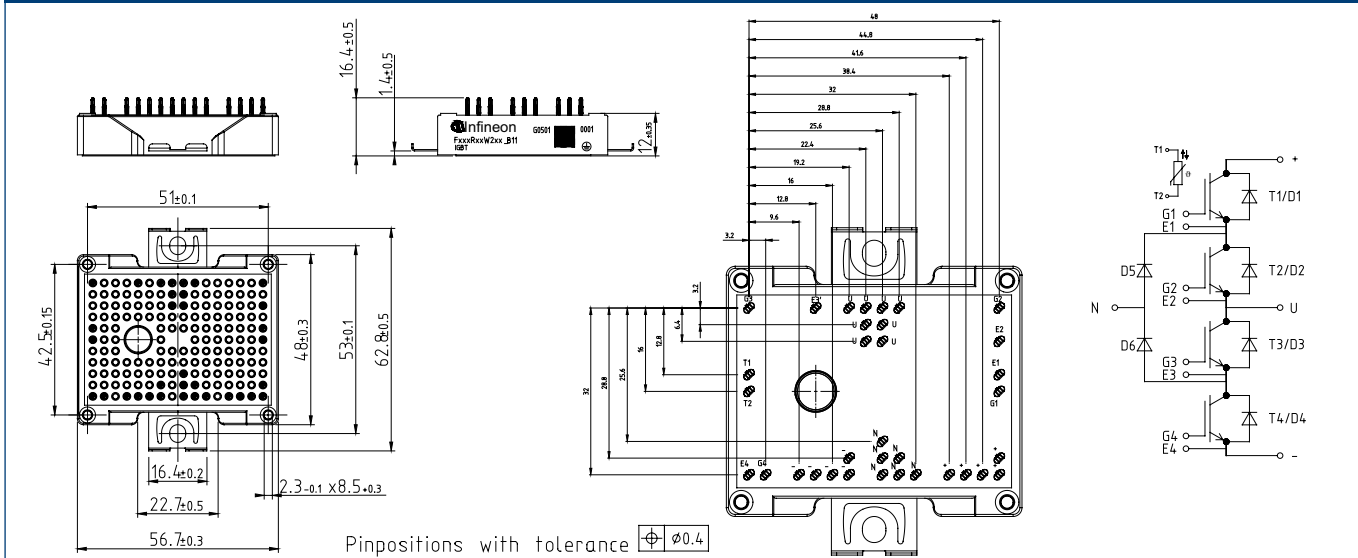
EasyPACK 2B

L_B2e



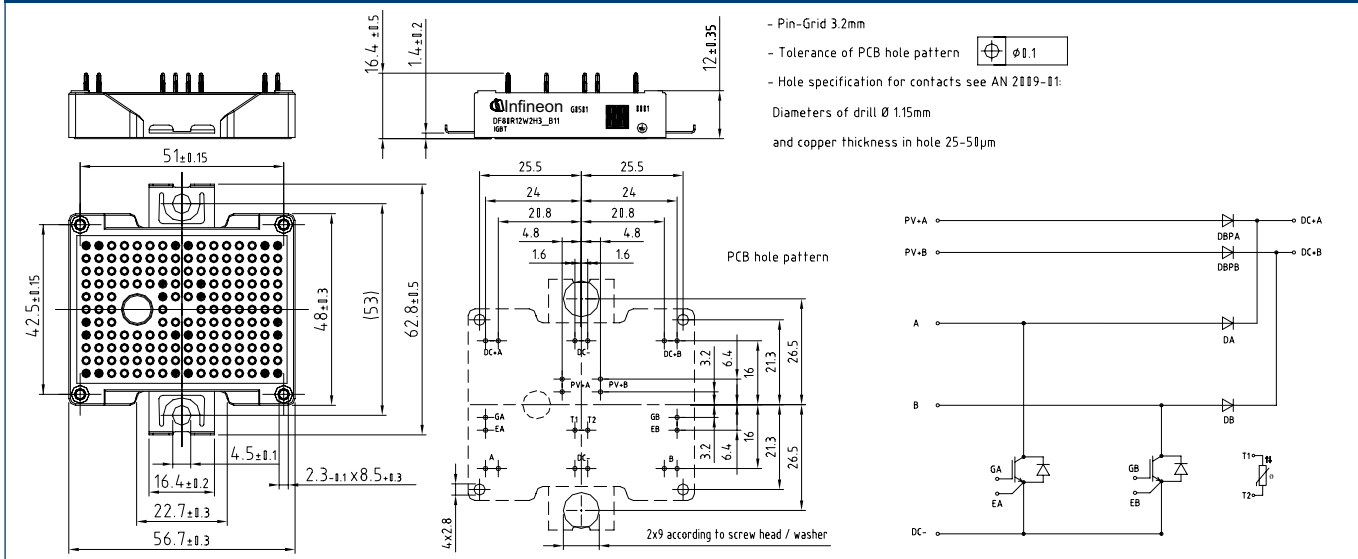
EasyPACK 2B

L_B2f



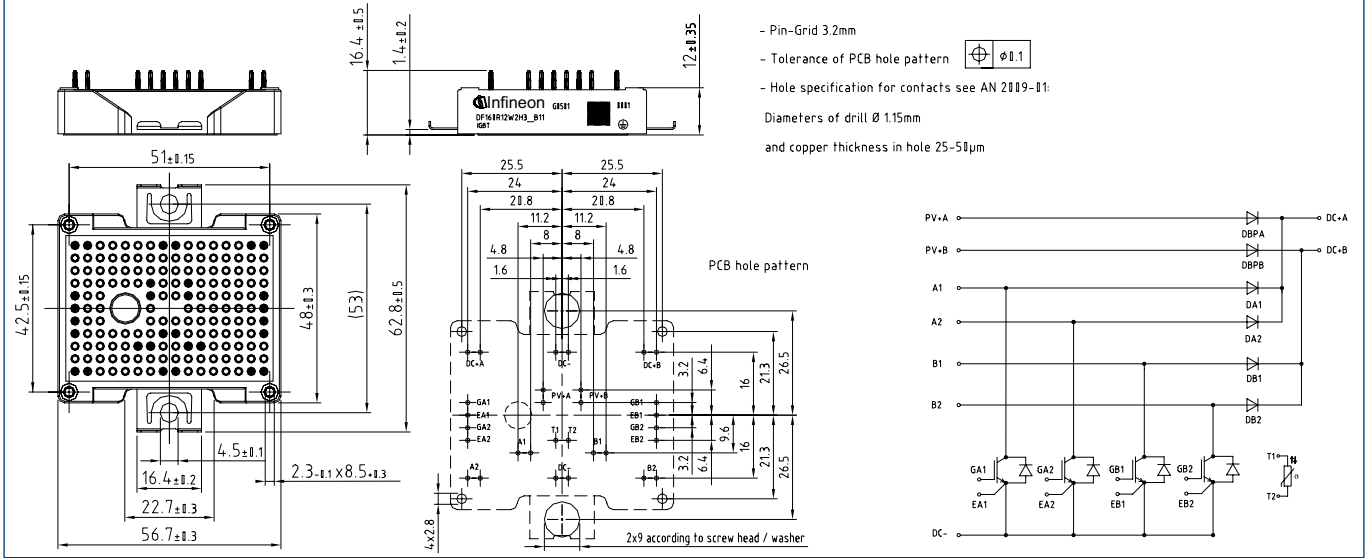
EasyPACK 2B

L_B2g



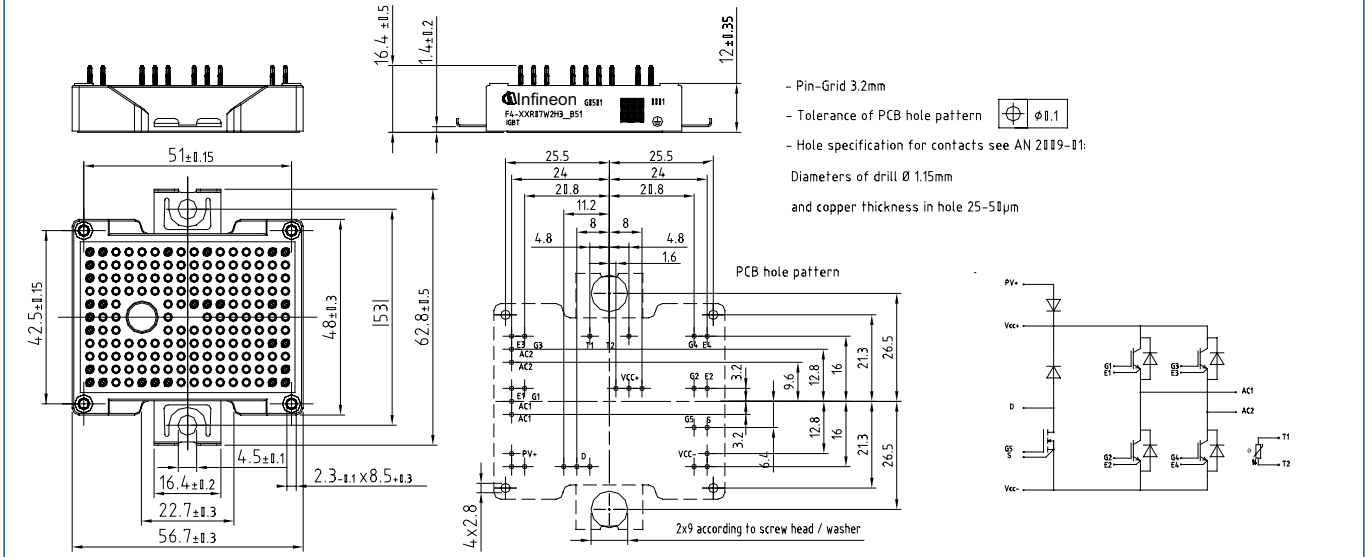
EasyPACK 2B

L_B2h



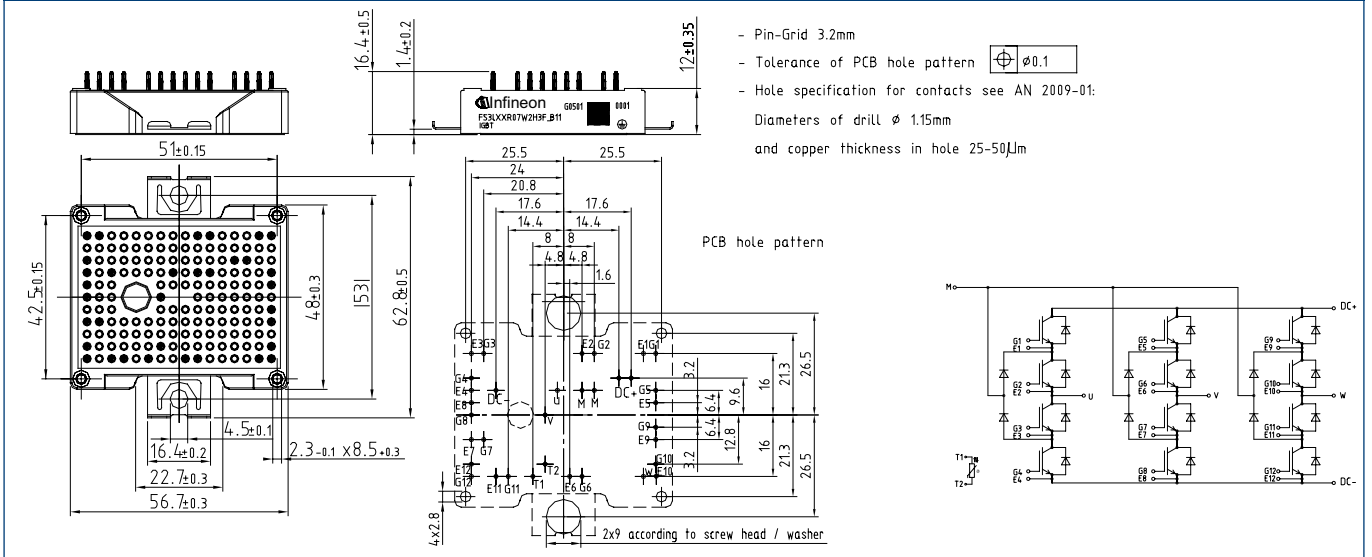
EasyPACK 2B

L_B2i



EasyPACK 2B

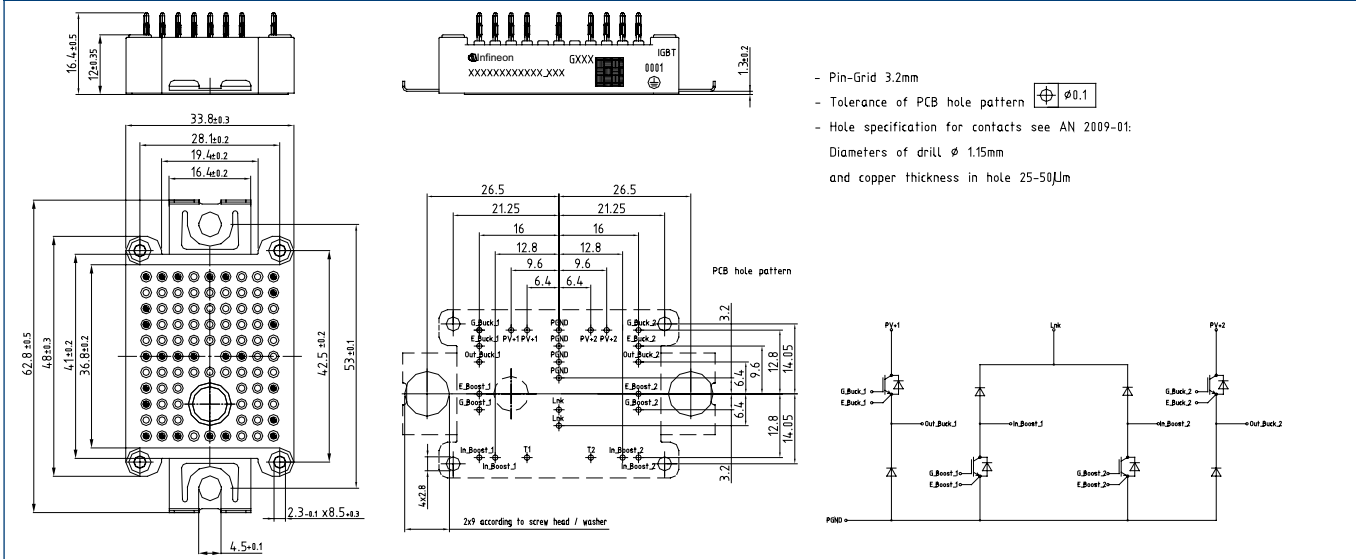
L_B2k



IGBT Low Power

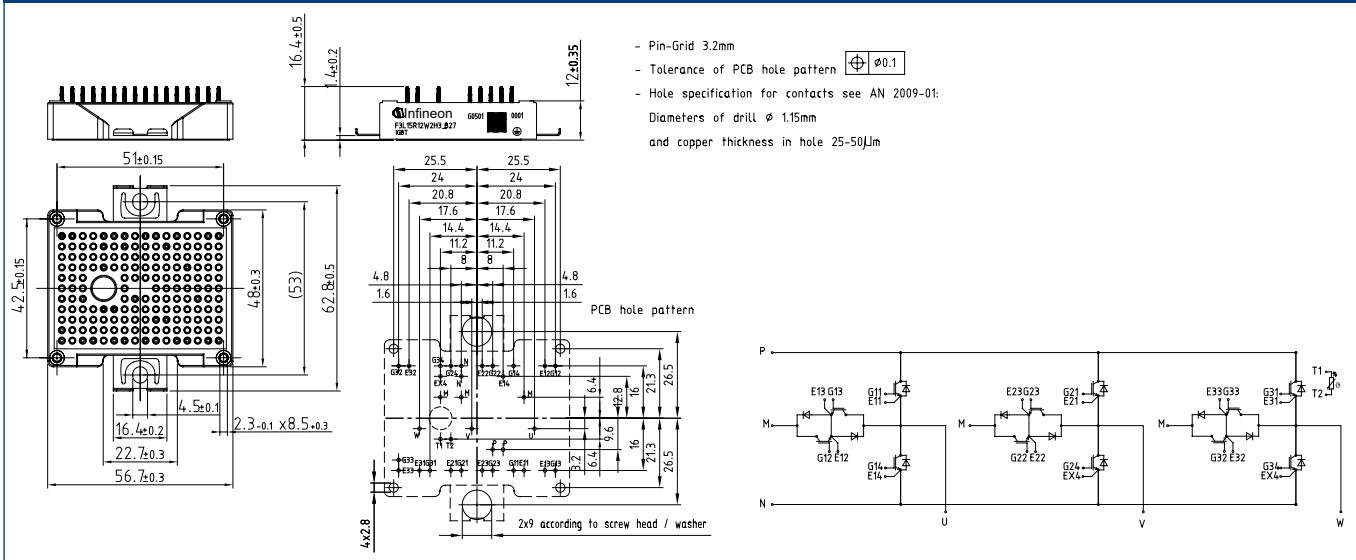
EasyPACK 2B

L_B21



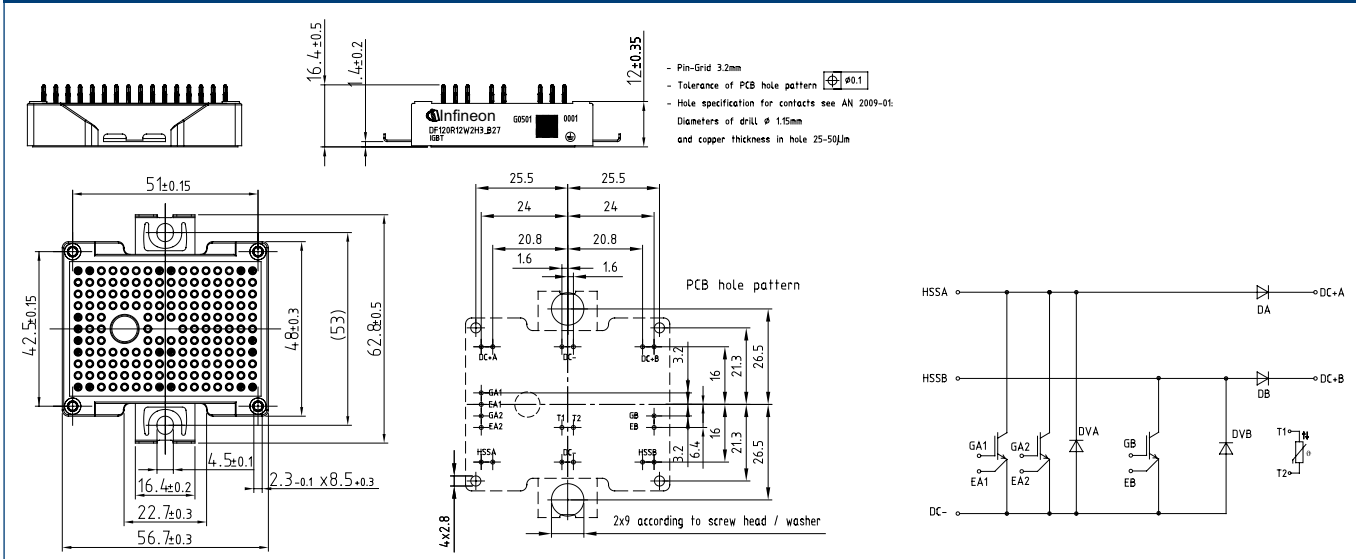
EasyPACK 2B

L_B2m



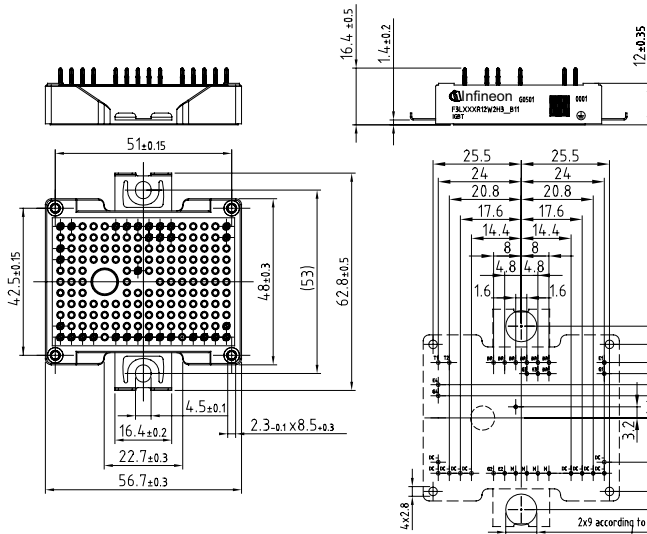
EasyPACK 2B

L_B2n

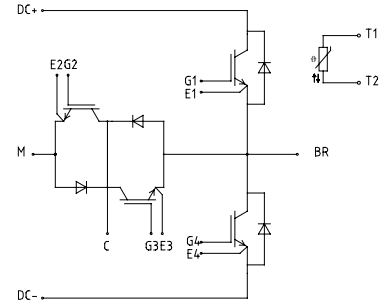


EasyPACK 2B

L_B2o



- Pin-Grid 3.2mm
- Tolerance of PCB hole pattern $\pm \phi 0.1$
- Hole specification for contacts see AN 2009-01:
- Diameters of drill ϕ 1.15mm
- and copper thickness in hole 25-50 μ m

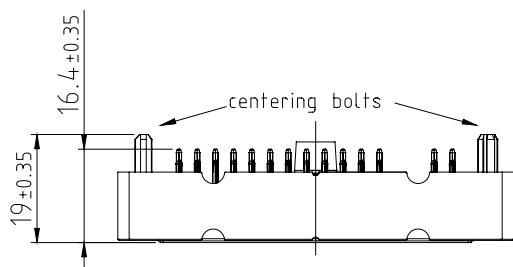
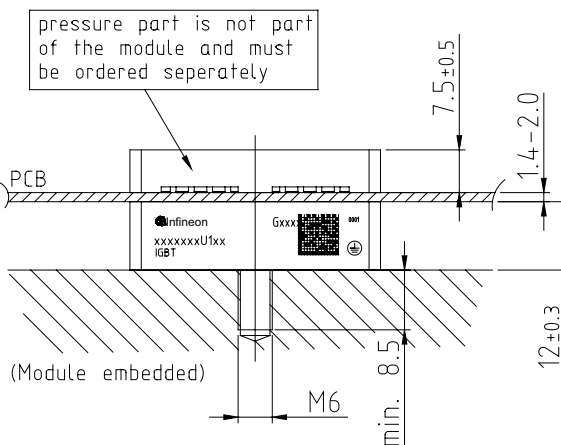
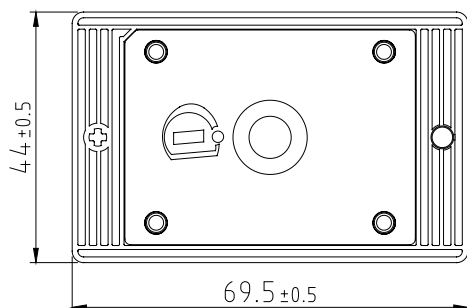


SmartPIM 1

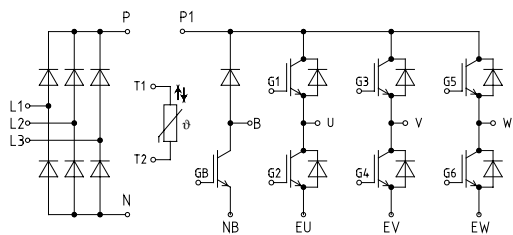
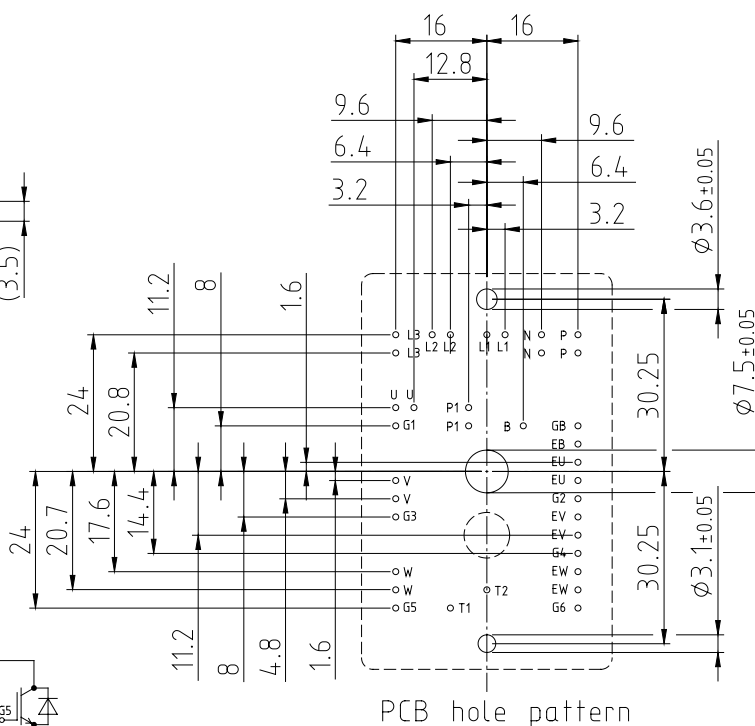
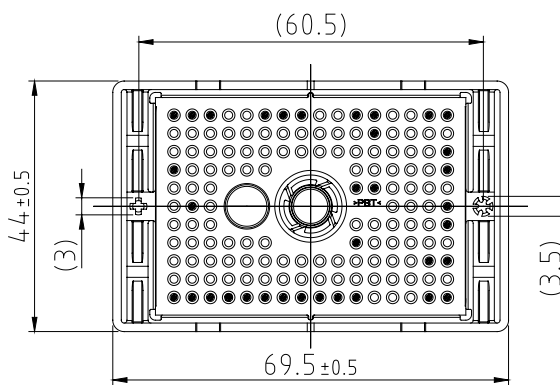
L_S1a

IGBT
Low Power

top view of pressure part



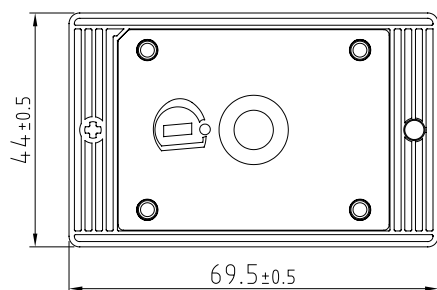
- Recommended screw: M6 counter sunk (acc. to ISO14581 or DIN7991)
- Pin-Grid 3.2mm
- Tolerance of PCB hole pattern $\pm \phi 0.1$
- Hole specification for contacts see AN 2009-09
 Diameters of plated holes $\phi 1.0\text{mm} \begin{matrix} +0.09 \\ -0.06 \end{matrix}$
 Diameters of drill $\phi 1.15\text{mm}$



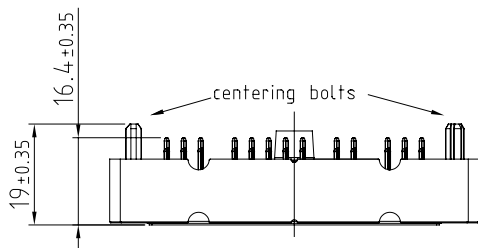
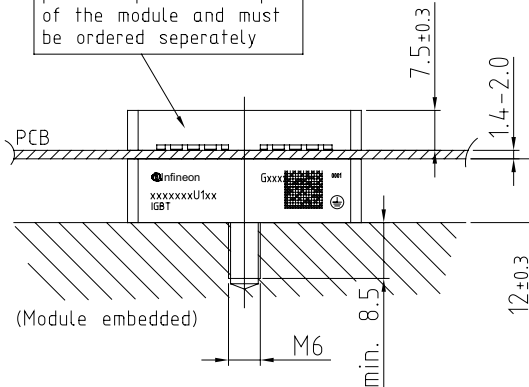
SmartPACK 1 1200V

L_S1b

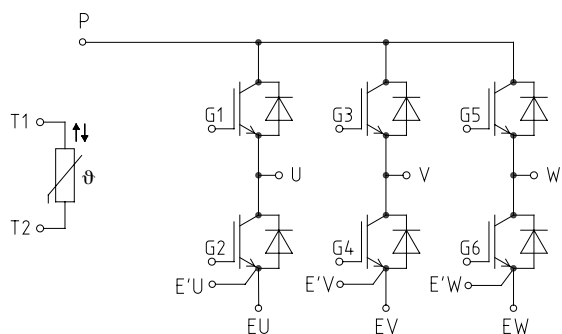
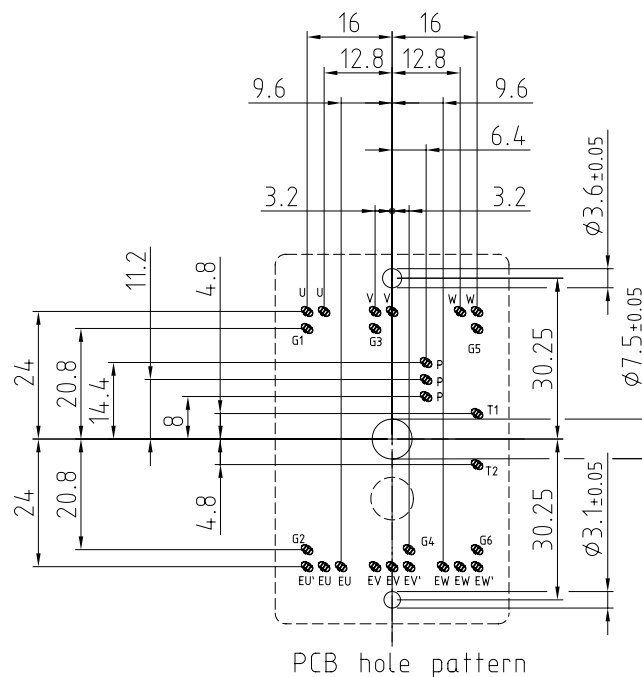
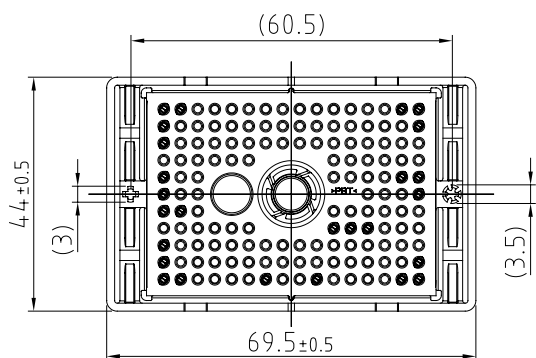
top view of pressure part



pressure part is not part of the module and must be ordered separately



- Recommended screw: M6 counter sunk (acc. to ISO14581 or DIN7991)
- Pin-Grid 3.2mm
- Tolerance of PCB hole pattern $\pm \phi 0.1$
- Hole specification for contacts see AN 2009-09
- Diameters of plated holes $\phi 1.0\text{mm} \begin{matrix} +0.09 \\ -0.06 \end{matrix}$
- Diameters of drill $\phi 1.15\text{mm}$



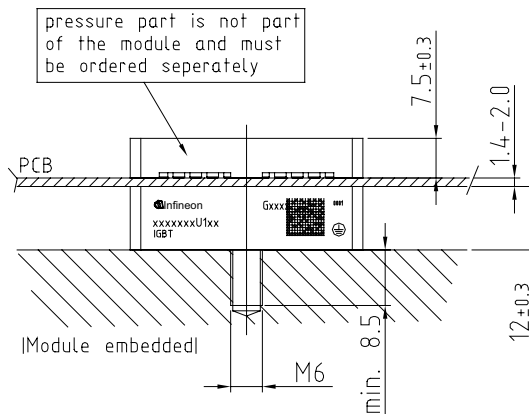
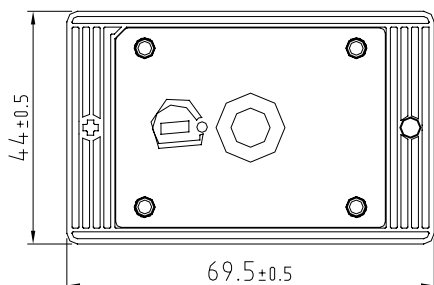
PCB hole pattern

SmartPACK 1 650V

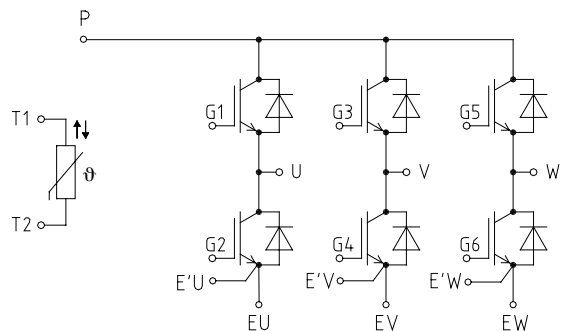
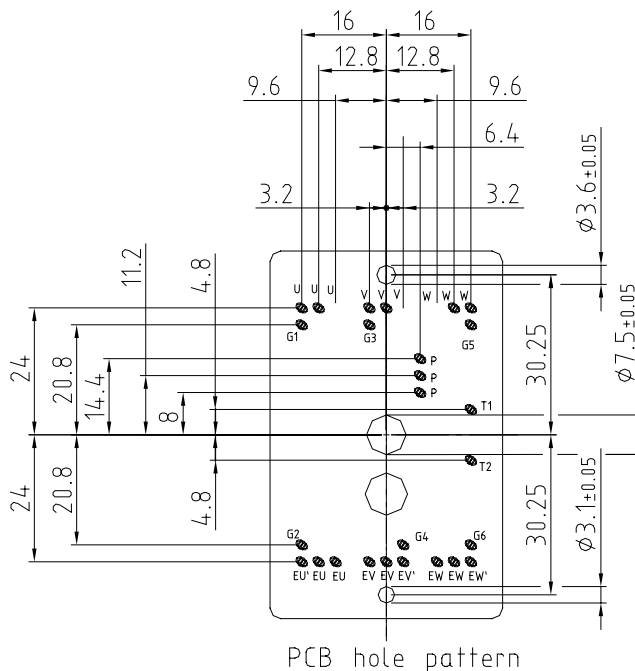
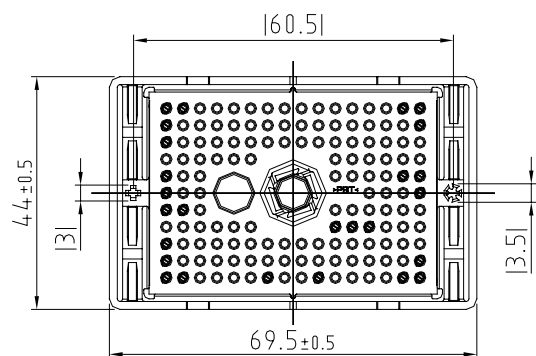
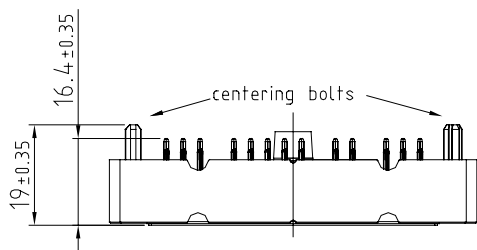
L_S1c

IGBT
Low Power

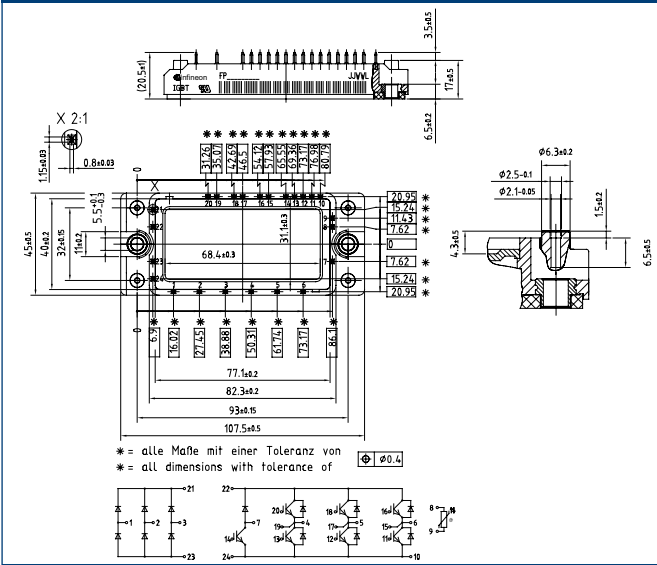
top view of pressure part



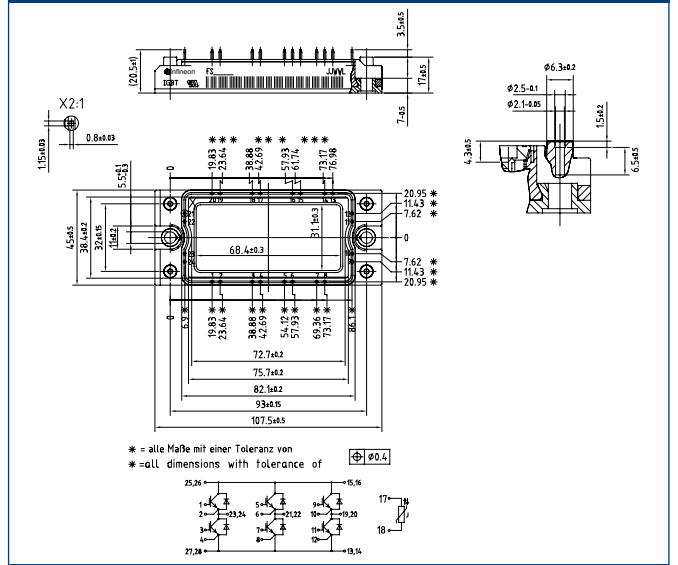
- Recommended screw:
M6 counter sunk lacc. to ISO14581 or DIN7991
- Pin-Grid 3.2mm
- Tolerance of PCB hole pattern ± 0.1
- Hole specification for contacts see AN 2009-09
Diameters of plated holes $\phi 1.0\text{mm}^{+0.09}_{-0.06}$
Diameters of drill $\phi 1.15\text{mm}$



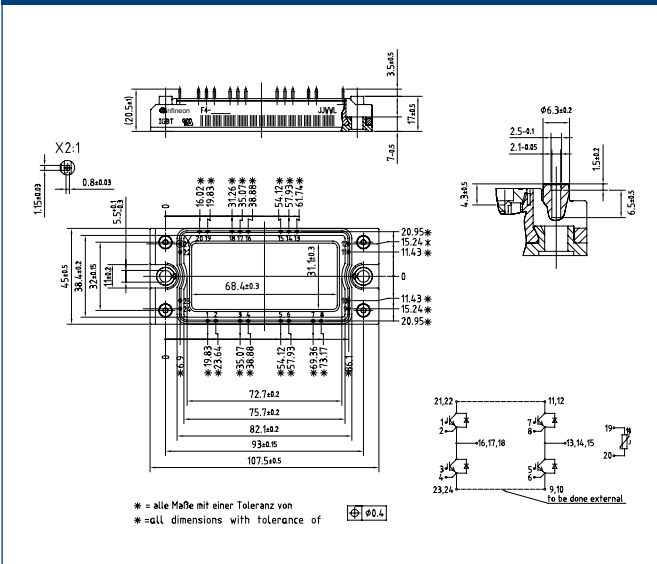
EconoPIM™ C M_E2a



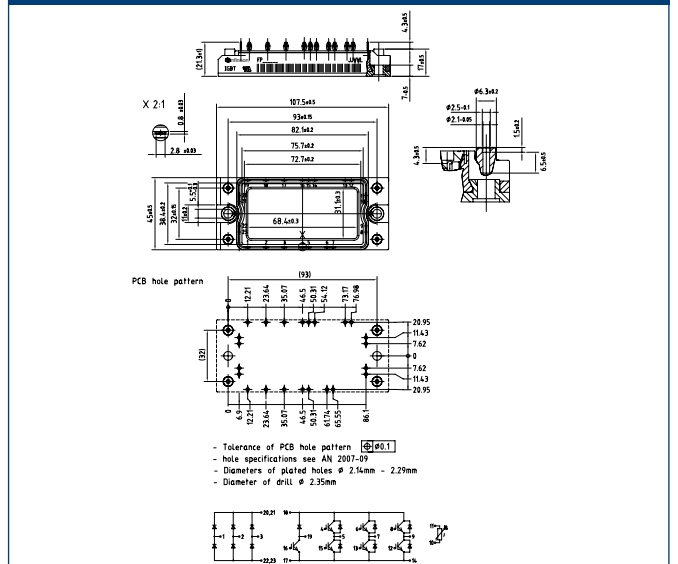
EconoPACK™ 2B M_E2b



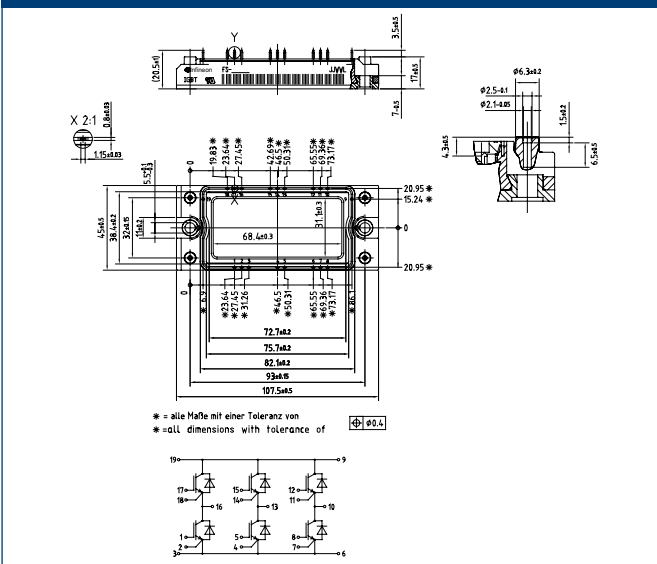
EconoPACK™ 2B FourPACK M_E2e



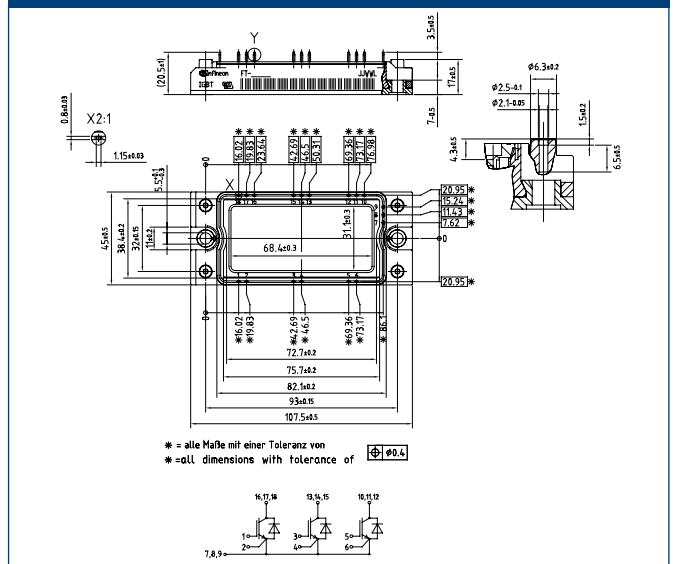
EconoPIM™ 2B PressFIT M_E2h



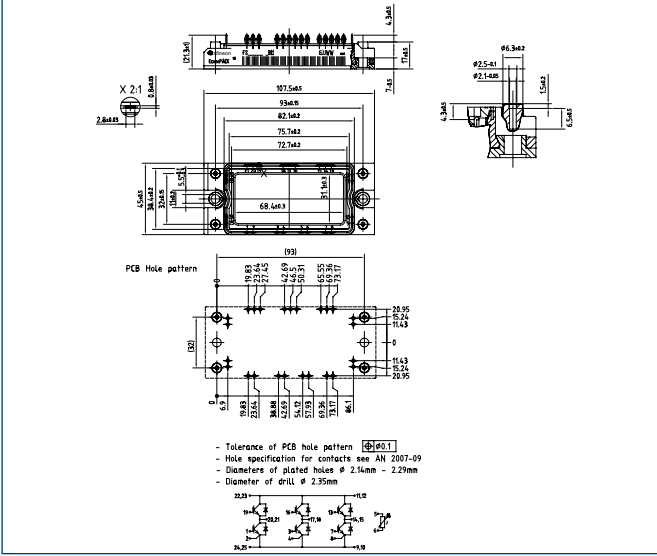
EconoPACK™ 2B M_E2g



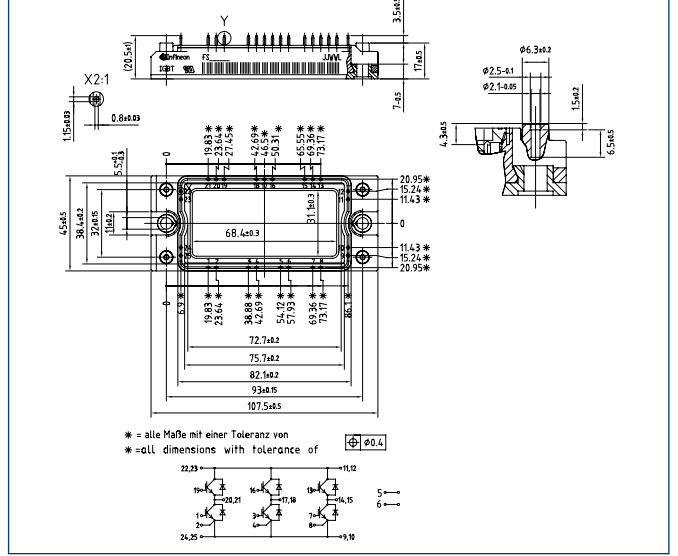
EconoPACK™ 2B (TriPACK-Low) M_E2f



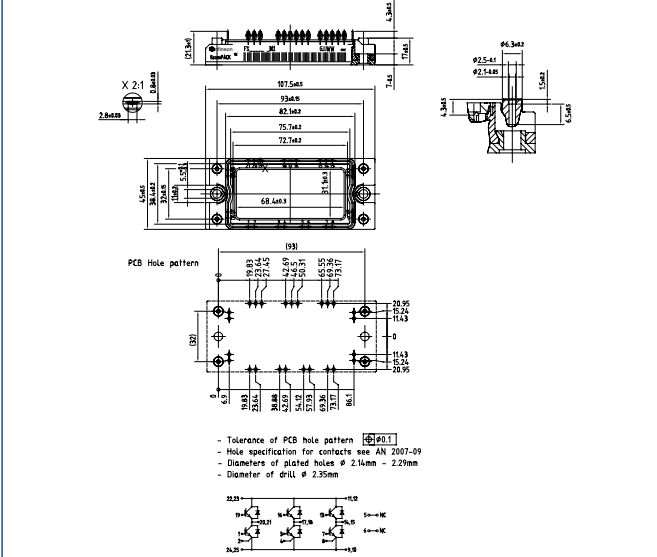
EconoPACK™ 2B PressFIT M_E2k



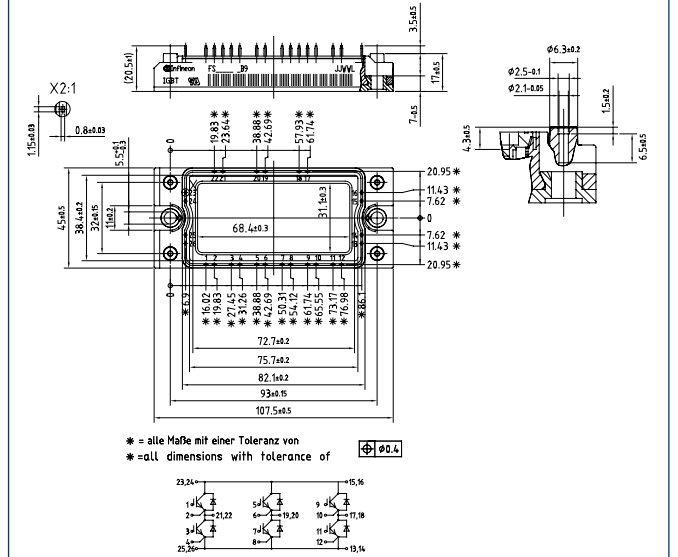
EconoPACK™ 2B M_E2i



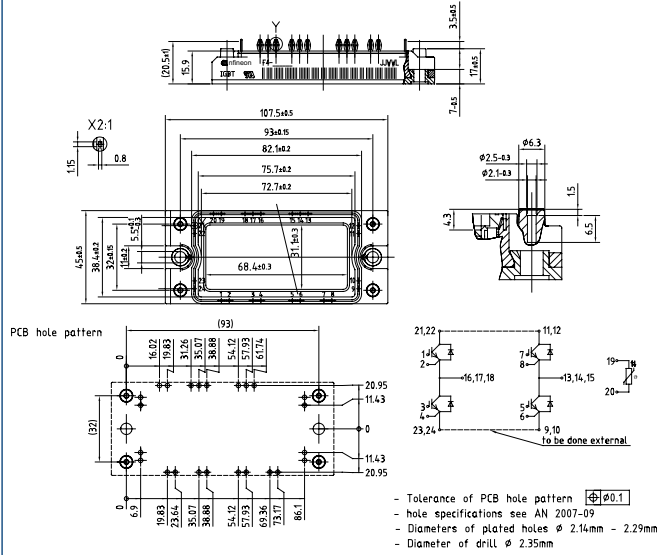
EconoPACK™ 2B PressFIT M_E2j



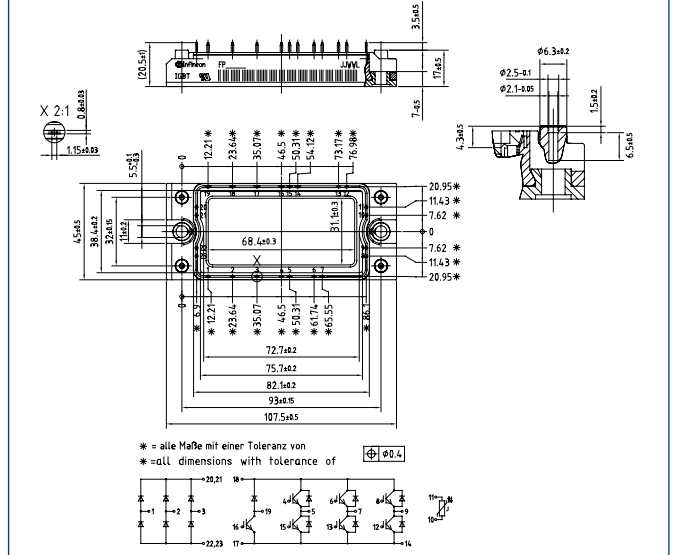
EconoPACK™ 2B M_E2l



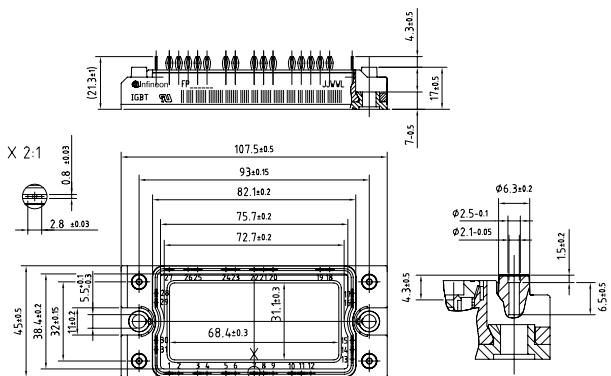
EconoPACK™ 2B FourPACK PressFIT M_E2c



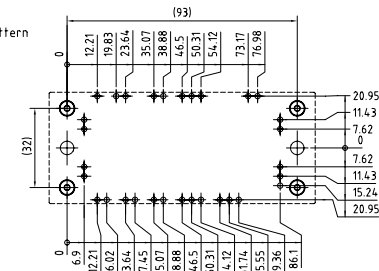
EconoPIM™ 2B M_E2m



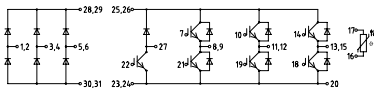
EconoPIM™ 2B PressFIT M_E2n



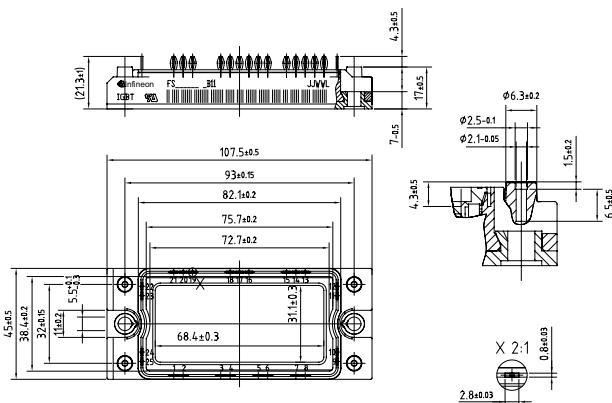
PCB hole pattern



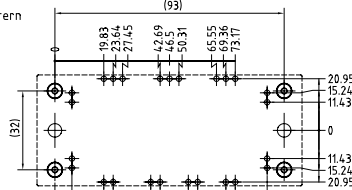
- Tolerance of PCB hole pattern ± 0.1
- hole specifications see AN 2007-09
- Diameters of plated holes $\varnothing 2.14\text{mm} - 2.29\text{mm}$
- Diameter of drill $\varnothing 2.35\text{mm}$



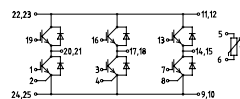
EconoPACK™ 2B PressFIT M_E2p



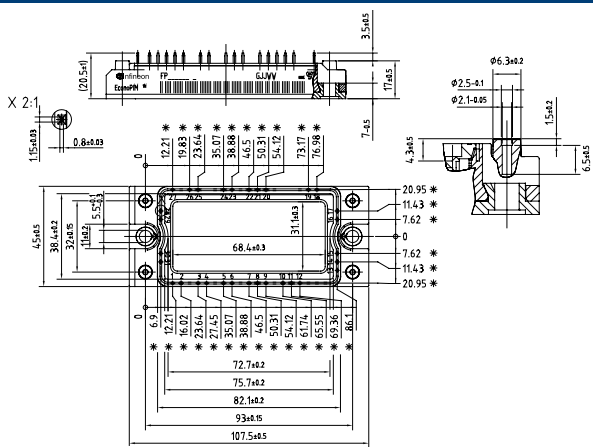
PCB hole pattern



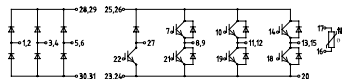
- Tolerance of PCB hole pattern ± 0.1
- hole specifications see AN 2007-09
- Diameters of plated holes $\varnothing 2.14\text{mm} - 2.29\text{mm}$
- Diameter of drill $\varnothing 2.35\text{mm}$



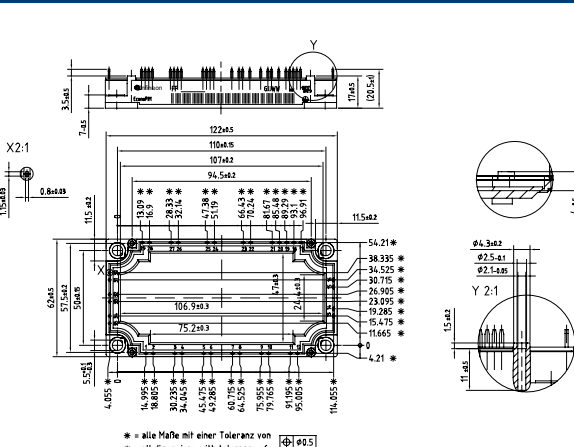
EconoPIM™ 2B M_E2o



- * = alle Maße mit einer Toleranz von ± 0.4
- * = all dimensions with tolerance of ± 0.4



EconoPIM™ 3B M_E3a



- * = alle Maße mit einer Toleranz von ± 0.5
- * = all dimensions with tolerance of ± 0.5

